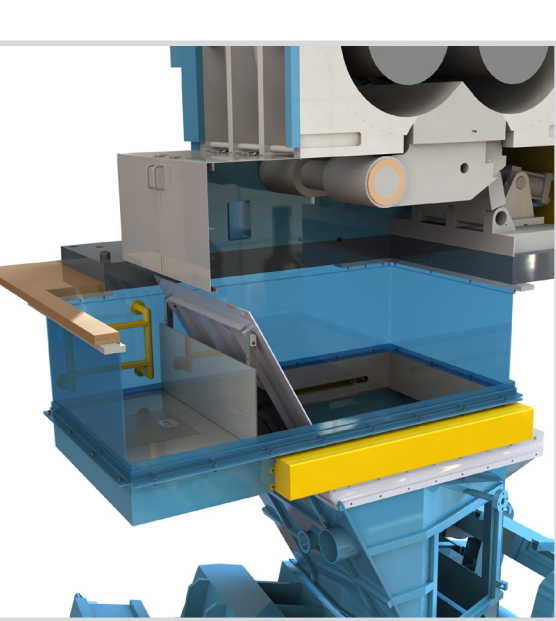
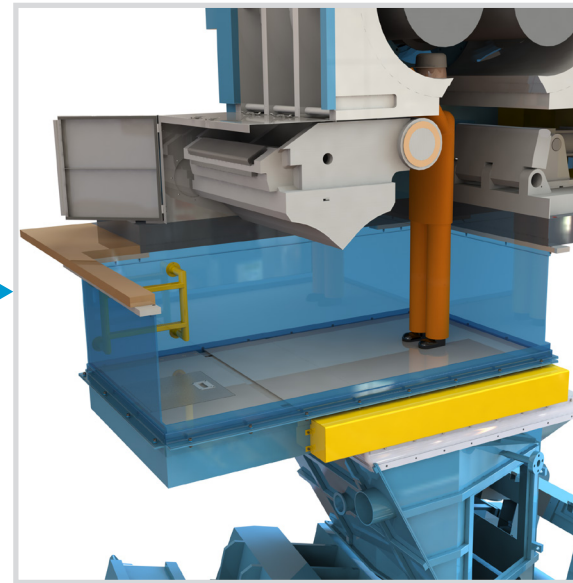
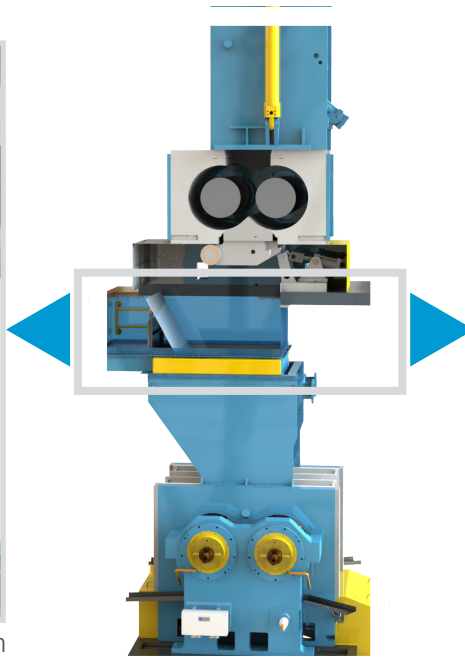


# mBox Maintenance Box

Increase Safety. Reduce Maintenance Downtime. Fast ROI.



mBox with retracted platform  
(production position)



mBox with extended platform  
(maintenance position)

## YOUR BENEFITS

- ✓ THE safety concept to minimize risk of injury
- ✓ User-friendly access for up to two persons
- ✓ Easier access for maintenance and cleaning
- ✓ Reliable platform and excellent working conditions
- ✓ Reduced maintenance downtime, costs and therefore really fast ROI

**HF MIXING GROUP** has identified two major hazard areas for mixer maintenance - **the feeding door** and **the drop door** area.

For safe maintenance actions in the mixer's drop door area **HF MIXING GROUP** has developed the **Maintenance Box mBox** that is integrated in the mixer platform and stands for a high sophisticated solution that combines safety with user-friendliness and cost effectiveness.

